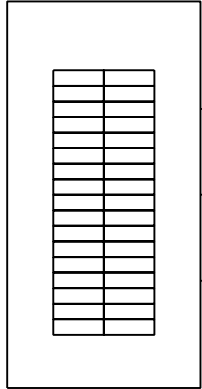


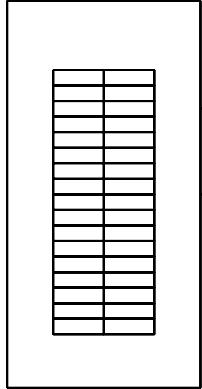
240VAC 5-WIRE DUAL POWER SOURCE WIRING DIAGRAM

BREAKER PANEL

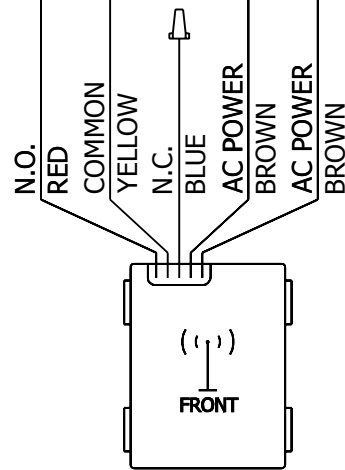


HOT
BLACK
NEUTRAL
WHITE
GROUND
GREEN OR BARE

BREAKER PANEL



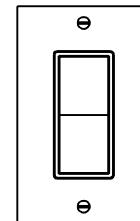
L1
BLACK
L2
RED



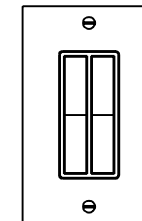
E3R-R24-5IBBP

← WIRELESS CONTROL SIGNAL UP TO 150 FT.

E3T-S1AWH



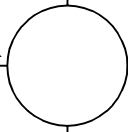
E3T-S2AWH



BATTERY-FREE,
WIRELESS SWITCHES

AC POWER
BLACK

AC POWER
WHITE
GROUND
GREEN OR BARE



FIXTURE