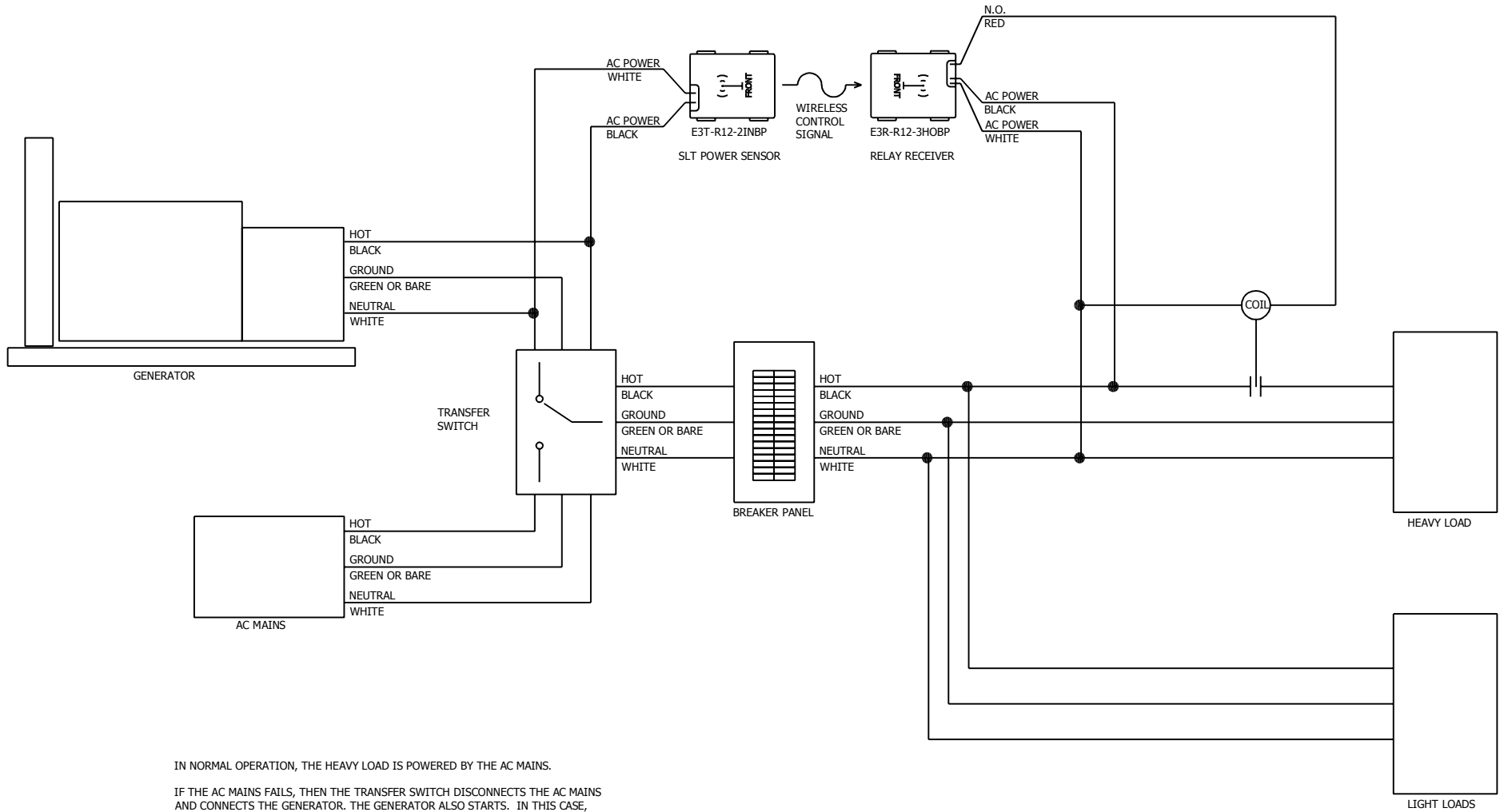


GENERATOR OVERLOAD PROTECTION



IN NORMAL OPERATION, THE HEAVY LOAD IS POWERED BY THE AC MAINS.

IF THE AC MAINS FAILS, THEN THE TRANSFER SWITCH DISCONNECTS THE AC MAINS AND CONNECTS THE GENERATOR. THE GENERATOR ALSO STARTS. IN THIS CASE, THE GENERATOR IS TOO SMALL TO RUN THE HEAVY LOAD, BUT IS FULLY CAPABLE OF RUNNING THE LIGHT LOADS.

WHEN THE GENERATOR STARTS, THE SLT POWER SENSOR TRANSMITS A CONTROL SIGNAL TO THE RELAY RECEIVER, WHICH DEACTIVATES THE COIL ON THE CONTACTOR, DISCONNECTING THE HEAVY LOAD FROM THE GENERATOR.