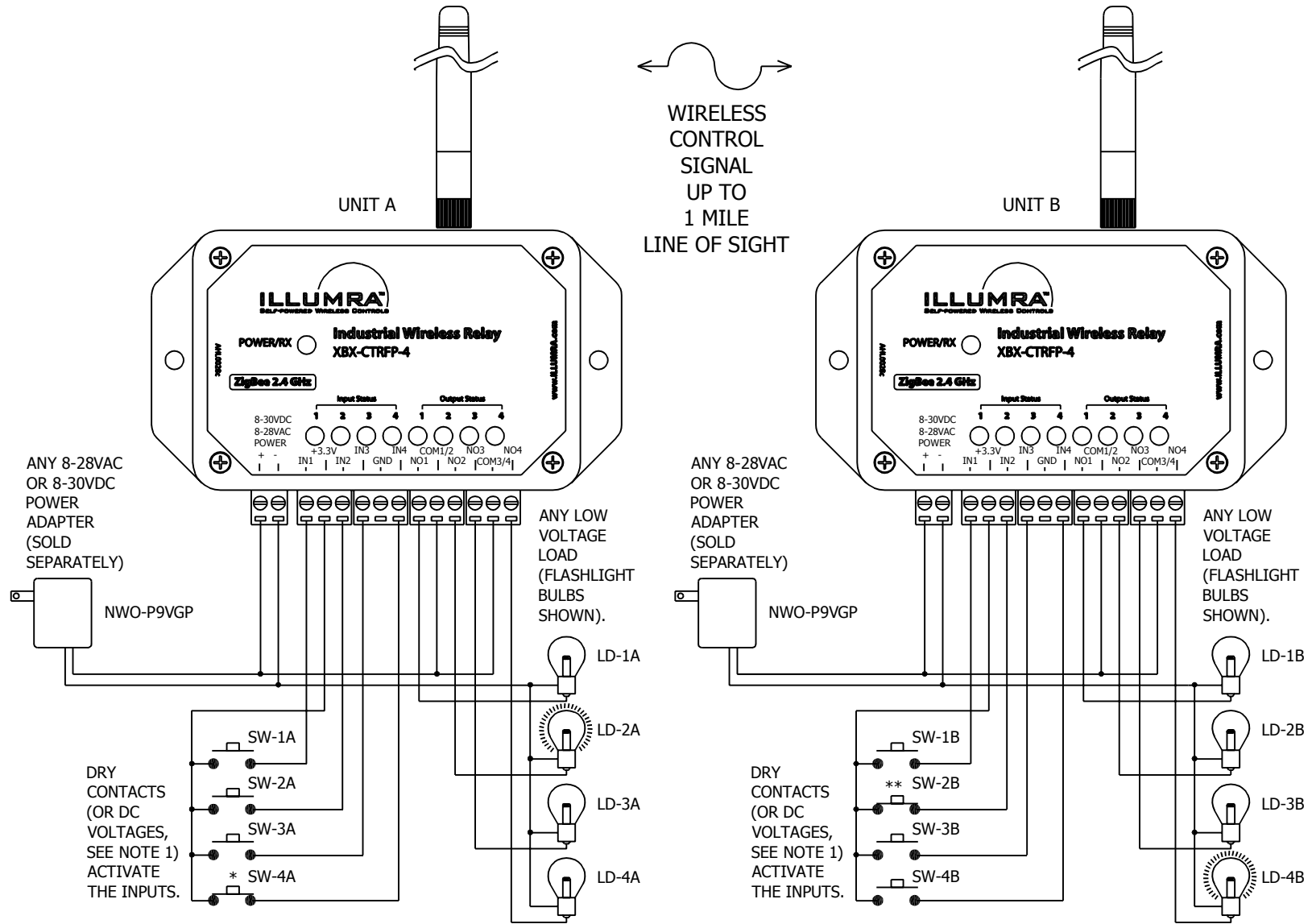


ILLUMRA
INDUSTRIAL WIRELESS RELAY



NOTE 1.
IF AN INPUT IS ACTIVATED WITH A DC VOLTAGE, CONNECT THE NEGATIVE SIDE TO GND (LOCATED BETWEEN IN3 AND IN4) AND CONNECT THE POSITIVE SIDE TO THE INPUT (IN1, IN2, IN3, OR IN4). REVERSE POLARITY MAY CAUSE DAMAGE TO THE UNIT.

NOTE 2:
INTERNAL JUMPERS ALLOW USER TO CONFIGURE EACH DEVICE. SEE JUMPER TABLE IN USER MANUAL.

OUTPUTS ON "UNIT A" ARE CONTROLLED BY CORRESPONDING INPUTS ON "UNIT B". **NOTE: LD-2A IS ON, BECAUSE INPUT 2 ON "UNIT B" IS ACTIVATED BY SW-2B.

OUTPUTS ON "UNIT B" ARE CONTROLLED BY CORRESPONDING INPUTS ON "UNIT A". *NOTE: LD-4B IS ON, BECAUSE INPUT 4 ON "UNIT A" IS ACTIVATED BY SW-4A.