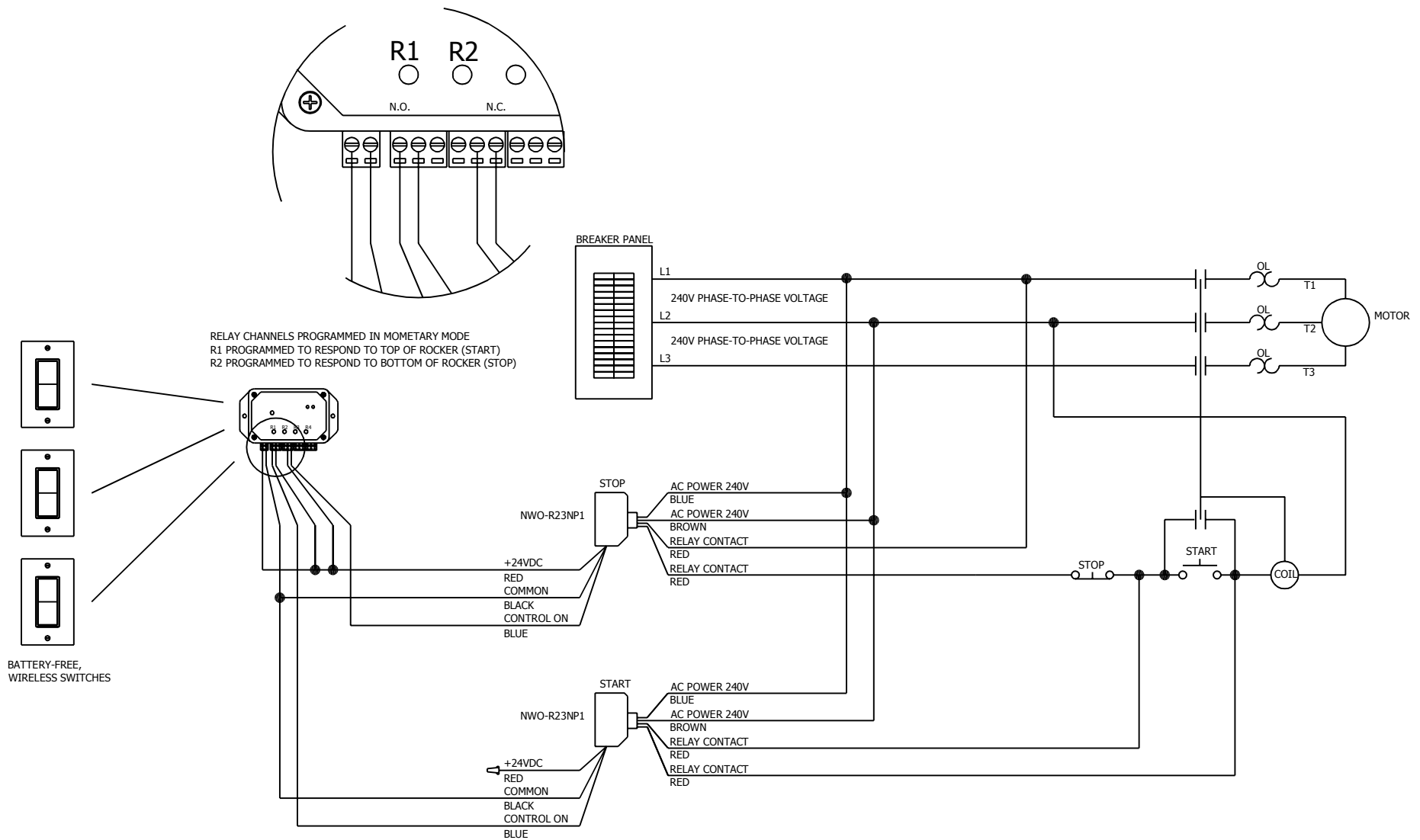


LVRX-4 ADDS WIRELESS CONTROL TO EXISTING MOTOR START SWITCH



MOTOR STARTS BY PRESSING START SWITCH OR BY PRESSING THE TOP HALF OF ROCKER ON ANY WIRELESS SWITCH.
 MOTOR STOPS BY PRESSING STOP SWITCH OR BY PRESSING THE BOTTOM HALF OF ROCKER ON ANY WIRELESS SWITCH.

CAUTION! IT IS POSSIBLE FOR WIRELESS LINK TO FAIL DUE TO INTERFERENCE OR OTHER REASONS.
 DO NOT RELY ON WIRELESS LINK FOR EMERGENCY START/STOP APPLICATIONS OR WHEN THE RISK
 OF PERSONAL INJURY, OR DEATH MAY RESULT DUE TO WIRELESS LINK FAILURE.