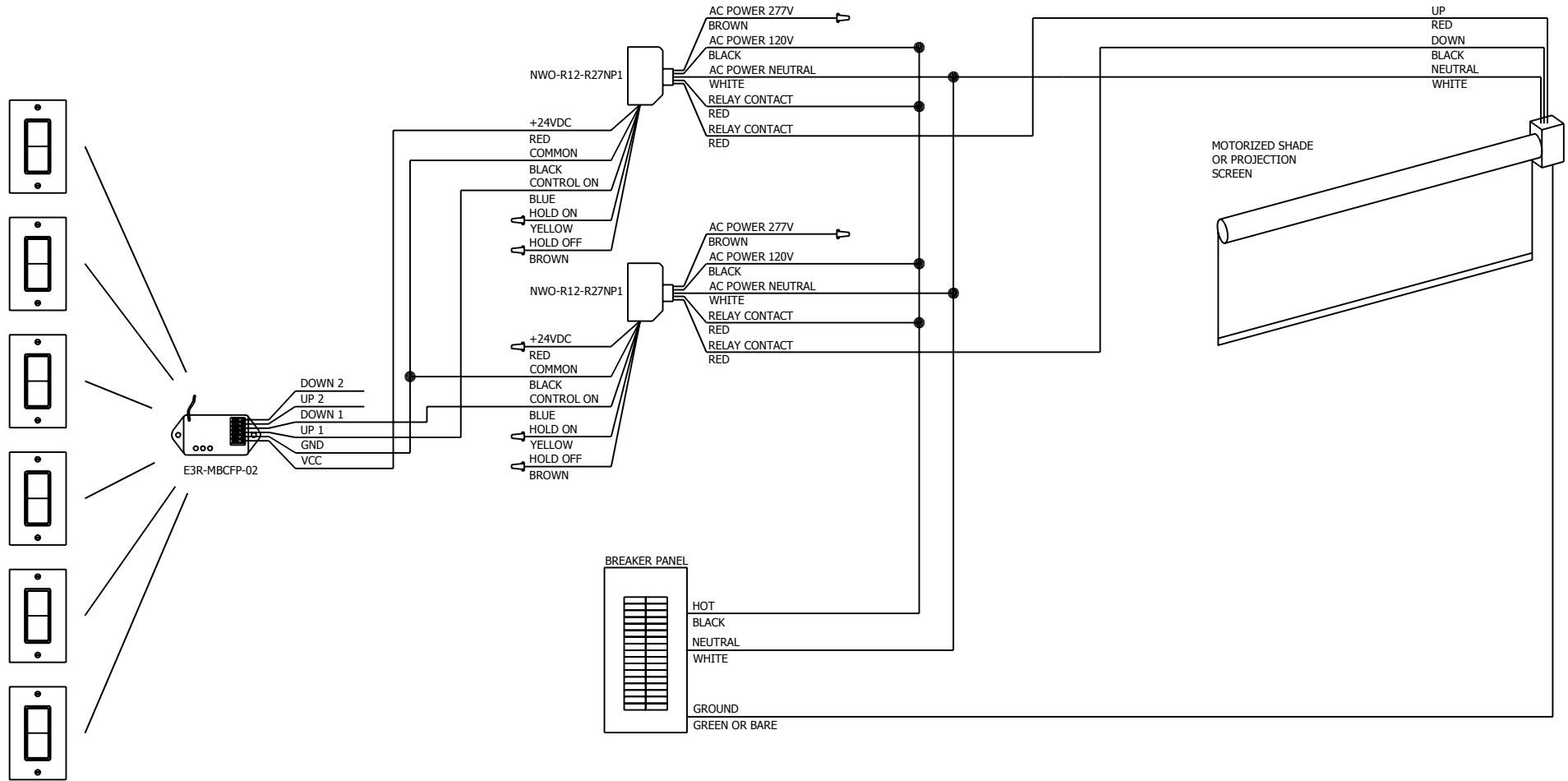


LVRX-MICRO SHADE CONTROLLER WIRING DIAGRAM
HIGH VOLTAGE MOTOR CONTROL



BATTERY-FREE,
WIRELESS SWITCHES

SHADE OR SCREEN GOES UP BY PRESSING THE TOP HALF OF ROCKER ON ANY WIRELESS SWITCH.
SHADE OR SCREEN GOES DOWN BY PRESSING THE BOTTOM HALF OF ROCKER ON ANY WIRELESS SWITCH.