

# 0-10V 5A Dimming Fixture Controller

ZCX-DUV-FX

- Control LED and Fluorescent luminaires
- Dim & Switch fixtures
- Tune dimming curve for maximum dimming response
- Reduce energy consumption
- Extend equipment life

**cortet**  
CERTIFIED

The Cortet™ Certified 0-10V Fixture Controller by ILLUMRA™ allows individual fixture control of room ambiance by dimming LED and fluorescent luminaires. Reduce energy consumption and implement compliance with the latest energy regulations.

**Features:**

- Control individual fixtures
- < 0.5W standby power
- Cortet™ Certified
  - Smart lighting control
  - Mobile apps (iOS/Android)

**Applications:**

- Conference rooms
- Houses of worship
- Classrooms
- Offices
- Daylight harvesting

**Compatible loads:**

- LED
- Fluorescent
- HID, etc.
- <5A 0-10V controllable loads

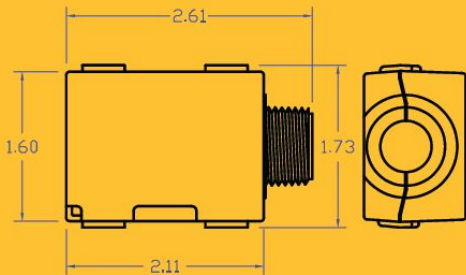
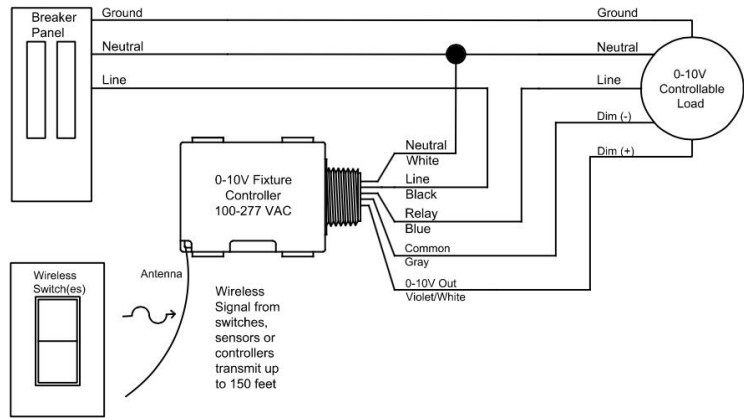
**Compatible with:**

- Cortet™ Gateways
- Cortet Certified Devices

**Fixture Controller**



**WIRING DIAGRAM**



SPECIFICATIONS	ZCX-DUV-FX
Supply Voltage	100-277 VAC 50/60 Hz
Max Load	5 Amps all loads, Induction, Fluorescent, LED, Other 0-10V sink 100mA 0-10V source 1mA
Dimensions	2.61 x 1.73 x 1.09 (66 x 44 x 28 mm)
Operating Temperature	+32 to +122 °F (0 to +50°C)
Storage Temperature	-4 to +176 °F (-20 to +80 °C)
Approvals	UL 60730 (safety) UL 2043 (plenum) CSA c22.2#14-05 (safety) CE - IEC 60730 FCC ID W7Z-ZICM357SP2 IC ID: 8254A-ZICM357SP2

115 S State St, Suite B  
Lindon, UT 84042

T: (801) 349-1200  
F: (801) 614-7100  
Sales@ILLUMRA.com

This device or certain aspects thereof is protected by at least one U.S. or International patent or has at least one such patent application pending. ILLUMRA is a trademark of Ad Hoc Electronics, LLC. Other trademarks herein are the property of their respective owners.