

0-10V 20A Dimming Area Controller

ZBX-DUV

- Control 20A of LED and fluorescent luminaires
- Both dimming and On/Off control
- Reduce energy consumption
- Extend equipment life

Compatible with:

- Zigbee 3.0 compatible devices
- Any Zigbee 3.0 or HA1.2 gateway

Fixture Controller



This 0-10V 20A Dimming Area Controller model is compatible with the Zigbee 3.0 standard and allows control of 20A of circuits. As part of a system, this controller allows for dimming and On/Off control of LED and fluorescent luminaires and more.

Use as part of a wireless control system to reduce energy consumption or to implement compliance with the latest energy regulations.

Features:

- 0-10V Dimming control of 50+ fixtures
- Less than 0.5W standby power

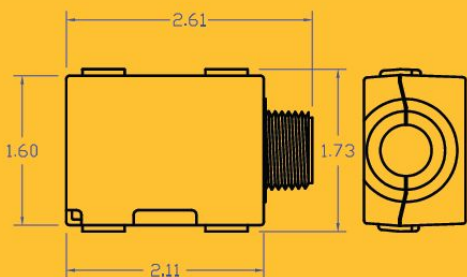
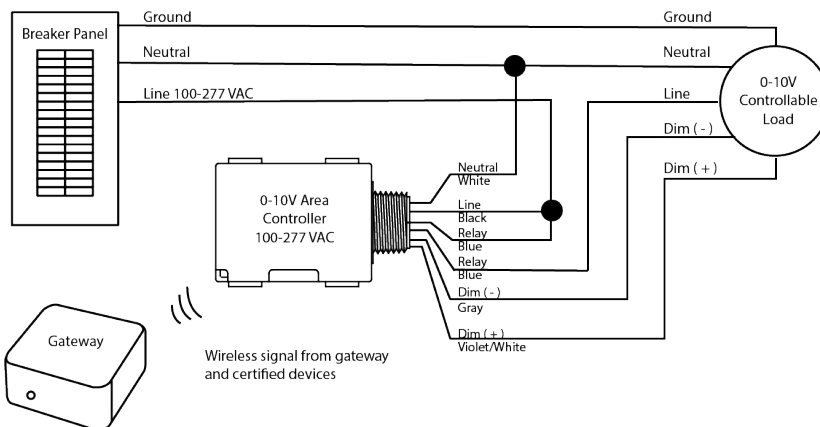
Applications:

- Conference rooms
- Houses of worship
- Classrooms
- Offices
- Daylight harvesting

Compatible loads:

- LED
- Fluorescent
- HID, etc.
- Any <20A 0-10V controllable load

WIRING DIAGRAM



SPECIFICATIONS ^o	ZBX-DUV
Supply Voltage	100-277 VAC 50/60 Hz
Max Load	20 Amps Resistive, Induction, Fluorescent, LED, Other 160A Max Inrush Current 0-10V sink 100mA (IEC Standard 60929 Annex E) 0-10V source 1mA (ANSI E1.3-2001 R2011)
Dimensions	2.61 x 1.73 x 1.09 (66 x 44 x 28 mm)
Operating Temperature	+32 to +122 °F (0 to +50°C)
Storage Temperature	-4 to +176 °F (-20 to +80 °C)
Approvals	UL 60730 (safety) UL 2043 (plenum) CSA c22.2#14-05 (safety) CE - IEC 60730 FCC ID W7Z-ZICM357SP2 IC ID: 8254A-ZICM357SP2

115 S State St, Suite B
Lindon, UT 84042

T: (801) 349-1200
F: (801) 614-7100
Sales@ILLUMRA.com

This device or certain aspects thereof is protected by at least one U.S. or International patent or has at least one such patent application pending.
ILLUMRA is a trademark of Ad Hoc Electronics, LLC. Other trademarks herein are the property of their respective owners.

AHD0632A