



# 5-Wire Relay Receiver

315 MHz  
 E3X-R02-5IBTP (24 VAC)  
 E3X-R12-5IBTP (120 VAC)  
 E3X-R24-5IBTP (240 VAC)  
 E3X-R27-5IBTP (277 VAC)

902 MHz  
 E9X-R02-5IBTP (24 VAC)  
 E9X-R12-5IBTP (120 VAC)  
 E9X-R24-5IBTP (240 VAC)  
 E9R-R27-5IBTP (277 VAC)

ILLUMRA™ single channel relay receivers allow lights and fans to be controlled by ILLUMRA self-powered wireless switches and sensors. The line-voltage relays help simplify advanced wireless lighting control.

## Easy-To-Use

- Installs in minutes, programs in seconds
- Requires no switch leg or traveler wires
- Compatible with all ILLUMRA transmitters

## Reliable Range

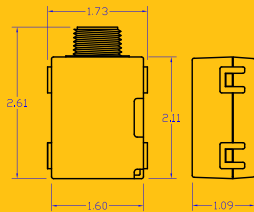
- 50-150 foot range (typical)
- Each unit stores up to 30 light switch IDs
- Error checking ensures receiver only responds to appropriate wireless transmitters

## Save Time and Money

Avoid costly and time-consuming installation of hardwired switches in your remodel or retrofit by choosing wireless ILLUMRA switches and receivers.

## Save Energy

Conserve energy and save money by connecting the receiver to an ILLUMRA occupancy sensor or by programming all lights to respond to a single master switch. ILLUMRA makes it easy to keep lights and systems off when not in use!



**ILLUMRA**  
 Lindon, UT 84042

**T: (801) 349-1200**  
**Sales@ILLUMRA.com**  
**Info@ILLUMRA.com**  
**www.ILLUMRA.com**



## Simple Wireless Controls

- Single pole, 3 way, and 4 way wireless switches
- Flexibility of isolated Form C relay w/ dry contacts
- Architectural lighting control
- Motor control
- Manual ON/OFF automatic OFF controls

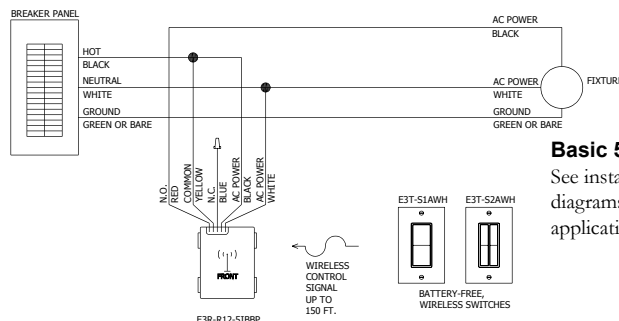
## Control The Way You Want

Control the Relay Receiver with a variety of devices:

- Self-powered wireless light switches
- Wireless occupancy sensors with 15 minute vacancy timeout

|                                       |   | E3X-R02-5IBTP<br>E9X-R02-5IBTP   | E3X-R12-5IBTP<br>E9X-R12-5IBTP | E3X-R24-5IBTP<br>E9X-R24-5IBTP | E3X-R27-5IBTP<br>E9X-R27-5IBTP |
|---------------------------------------|---|--|--------------------------------|--------------------------------|--------------------------------|
| <b>Range</b>                          |   | 50-150 feet (typical)  |                                |                                |                                |
| <b>Frequency</b>                      |   | 315 or 902 MHz   |                                |                                |                                |
| <b>Relay Output</b>                   |   | 277 VAC, MAX   |                                |                                |                                |
| <b>Max Loads/<br/>Contact Ratings</b> | <b>Tungsten (Incandescent)</b><br>N.O. Contacts / N.C. Contacts | 1500 W @ 120 VAC / 300 W @ 120 VAC<br>3000 W @ 240 VAC / 600 W @ 240 VAC<br>3400 W @ 277 VAC / 700 W @ 277 VAC |                                |                                |                                |
|                                       | <b>Fluorescent Ballast</b>                                      | 8 A (N.O. Contacts)  |                                |                                |                                |
|                                       | <b>General Duty</b>   | 16 A (N.O. Contacts), 5 A (N.C. Contacts)  |                                |                                |                                |
|                                       | <b>A300 Pilot Duty</b>  | 72 VA @ 24 VAC, 360 VA @ 120 VAC,<br>720 VA @ 240 VAC, 830 VA @ 277 VAC  |                                |                                |                                |
| <b>Motor Load</b>                     |   | 60 LRA, 10 FLA, 1/2 HP @ 120 VAC, 1HP @ 240 VAC  |                                |                                |                                |
| <b>Power Supply</b>                   |   | 24 VAC<br>50/60 Hz   | 120 VAC<br>50/60 Hz            | 240 VAC<br>50/60 Hz            | 277 VAC<br>50/60 Hz            |
| <b>Output Channels</b>                |   | 1 FORM C Relay COM, N.O., N.C.   |                                |                                |                                |
| <b>Memory</b>                         |   | Stores up to 25 switch IDs   |                                |                                |                                |
| <b>Dimensions</b>                     |   | 2.11 x 1.73 x 1.09 inches (54 x 44 x 28 mm)  |                                |                                |                                |
| <b>Operating Temperature</b>          |   | 14° to +122°F (-10° to +50°C)  |                                |                                |                                |
| <b>Storage Temperature</b>            |   | -4° to +176°F (-20° to +80°C)  |                                |                                |                                |
| <b>Transmit EEP</b>                   |   | A5-38-08 EnOcean Equipment Profile   |                                |                                |                                |
| <b>Radio Certification</b>            |   | FCC (United States)<br>I.C. (Canada)   |                                |                                |                                |
| <b>Safety Approval</b>                |   | ETL (U.S.): UL244A<br>ETL (Canada): CSAc22.2#14-05   |                                |                                |                                |

## Network Diagram



### Basic 5-wire diagram

See installation guide for diagrams of additional applications.

This device or certain aspects thereof is protected by at least one U.S. or international patent or has at least one such patent application pending.



AHD0199C

ILLUMRA is a trademark of Ad Hoc Electronics, L.L.C. Other trademarks herein are the property of their respective owners.