

RS-232 Serial Box

E3X-232FP

E3X-232FP-WCS

The RS-232 Serial Box is a high performance data interface radio transceiver which can be connected to any system that uses an RS-232 serial port. The device receives commands from wireless switches and sensors.

Easy-To-Use

- Installs in minutes
- Easy configuration
- Transmits and receives wirelessly

Reliable Range

- 50-150 foot range (typical)
- Repeaters available for added range
- Receives and transmits signals to and from ILLUMRA devices

Save Energy, Time, and Money

Avoid costly and time-consuming installation of hardwired switches. Conserve energy and save money by choosing ILLUMRA switches, sensors and receivers!



Simple Wireless Control Systems

- Computer system integration
- Architectural lighting
- Daylighting
- Load shedding
- Automation

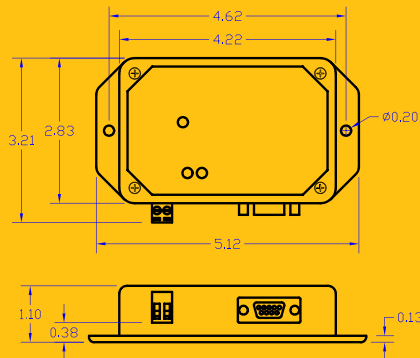
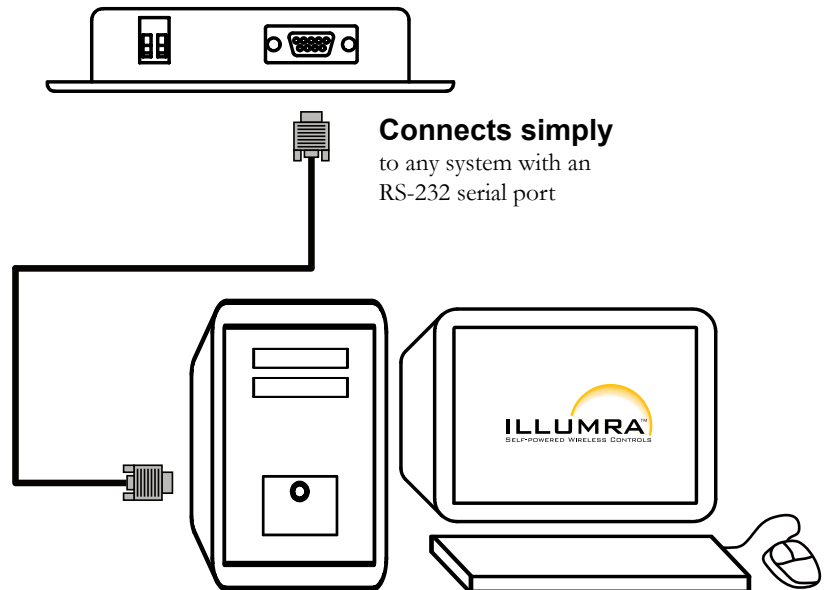
Control The Way You Want It

Control the RS-232 Serial Box with a variety of devices:

- Self-powered wireless light switches
- Wireless light sensors
- Wireless or wired occupancy sensors
- More

	E3X-232FP
Range	50-150 feet (typical)
Frequency	315 MHz
Power Supply Input Rating	8-28 VAC or 8-30 VDC
Current	25mA @ 12 VDC, 15mA @ 24 VDC
Operating Temperature	-13° to +140°F (-25° to +60°C)
Storage Temperature	-40° to +140°F (-40° to +60°C)
Dimensions	5.12"W x 3.21"H x 1.10"D 10.7cm x 7.2cm x 2.9cm
Serial Port Settings	9600 baud, 8 bits, No parity, 1 stop bit
Radio Certification	FCC (United States): SZV-TCM2XXC I.C. (Canada): 5713A-TCM2XXC

Network Diagram



777 S. State St.
Orem, UT 84058

T: (801) 349-1200

F: (801) 653-4257

Sales@ILLUMRA.com

Info@ILLUMRA.com

www.ILLUMRA.com

This device or certain aspects thereof is protected by at least one U.S. or international patent or has at least one such patent application pending.



AHD0221B

ILLUMRA is a trademark of Ad Hoc Electronics, L.L.C. Other trademarks herein are the property of their respective owners.