

Room Controller

E3X-MRCFP-04
E3X-MRCFP-13
E3X-MRCFP-22

These small transceivers respond to self-powered wireless occupancy sensors and light switches and other ILLUMRA RF transmitters. The Room Controllers may receive input from wired occupancy sensors to automatically turn off lights when no one is in a room. Additionally, the room controllers can extend the reach of wired sensors by wirelessly transmitting sensor status to other ILLUMRA receivers.

Easy-To-Use

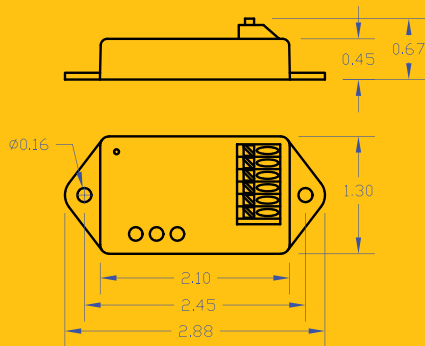
- Installs in minutes
- Easy configuration
- Requires no switch leg wires

Reliable Range

- 50-150 foot range (typical)
- Communicates with ILLUMRA switches
- Error checking ensures response only to appropriate wireless switches
- One transmitter can control unlimited receivers within range
- Can act as a repeater to extend range

Save Energy, Time, and Money

Create manual ON / Auto OFF or master OFF controls to eliminate energy waste. Avoid costly and time-consuming installation of hardwired controls. ILLUMRA receivers install quickly and easily without switch leg or traveler wires.



777 S. State St.
Orem, UT 84058

T: (801) 349-1200
F: (801) 653-4257
Sales@ILLUMRA.com
Info@ILLUMRA.com
www.ILLUMRA.com



Simple Wireless Control Systems

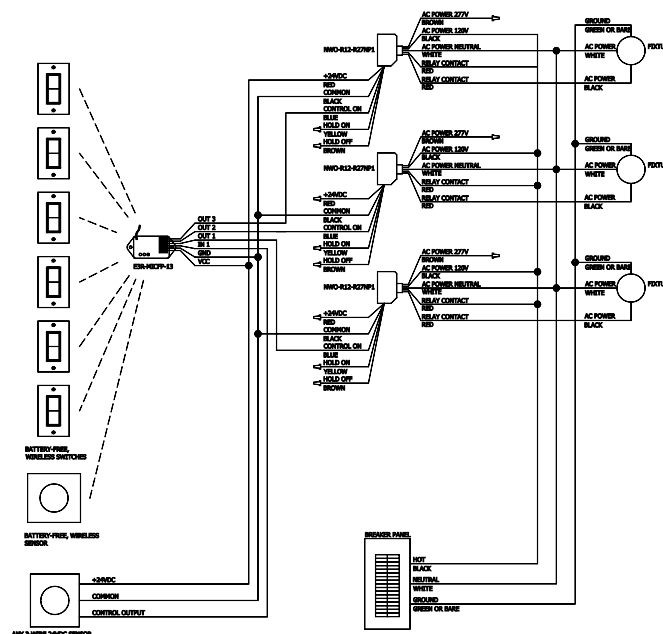
- Manual or automatic ON and OFF controls
- Architectural lighting
- Daylighting
- Load shedding
- CA Title 24

Control The Way You Want It

- Wired or wireless occupancy sensors
- Self-powered wireless light switches
- Wireless light sensors
- More

	E3X-MRCFP-04	E3X-MRCFP-13	E3X-MRCFP-22
Range	50-150 feet (typical)		
Frequency	315 MHz		
Power Supply Input Rating	8-30 VDC, 40 mA		
Relay Driver	30 VDC max, 100 mA max		
Repeater	field configurable		
Channels	0-in/4-out	1-in/3-out	2-in/2-out
Operating Temperature	-13° to 140°F (-25° to +60°F)		
Storage Temperature	-40°F to 140°F (-40°F to +60°F)		
Dimensions	2.88"(W) x 1.30"(H) x 0.67"(D) 7.32cm x 3.30cm x 1.70cm		
Antenna	attached whip antenna (5.85")		
Vacancy Timeout	15 minutes (when motion detectors are learned)		
Radio Certification	FCC (United States) SZV-TCM2XXC, I.C. (Canada) 5713A-TCM2XXC		

Network Diagram



This device or certain aspects thereof is protected by at least one U.S. or international patent or has at least one such patent application pending.



ILLUMRA is a trademark of Ad Hoc Electronics, L.L.C. Other trademarks herein are the property of their respective owners.