



5-Wire Relay Receiver

- E3R-R02-5IBBP (24 VAC)
- E3R-R12-5IBBP (120 VAC)
- E3R-R24-5IBBP (240 VAC)
- E3R-R27-5IBBP (277 VAC)
- E3X-R02-5IBBP (24 VAC w/ Repeater)
- E3X-R12-5IBBP (120 VAC w/ Repeater)
- E3X-R24-5IBBP (240 VAC w/ Repeater)
- E3X-R27-5IBBP (277 VAC w/ Repeater)

ILLUMRA™ single channel relay receivers allow lights and fans to be controlled by ILLUMRA self-powered wireless switches and sensors. The line-voltage relays help simplify advanced wireless lighting control.

Easy-To-Use

- Installs in minutes, programs in seconds
- Requires no switch leg or traveler wires
- Compatible with all ILLUMRA transmitters

Reliable Range

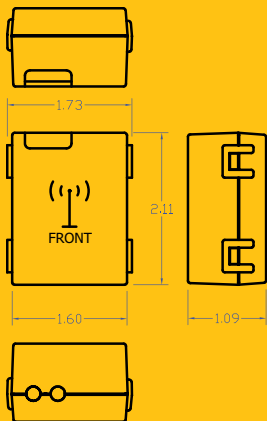
- 50-150 foot range (typical)
- Each unit stores up to 30 light switch IDs
- Error checking ensures receiver only responds to appropriate wireless transmitters

Save Time and Money

Avoid costly and time-consuming installation of hardwired switches in your remodel or retrofit by choosing wireless ILLUMRA switches and receivers.

Save Energy

Conserve energy and save money by connecting the receiver to an ILLUMRA occupancy sensor or by programming all lights to respond to a single master switch. ILLUMRA makes it easy to keep lights and systems off when not in use!



777 S. State St.
Orem, UT 84058

T: (801) 349-1200
F: (801) 653-4257
Sales@ILLUMRA.com
Info@ILLUMRA.com
www.ILLUMRA.com



Simple Wireless Controls

- Single pole, 3 way, and 4 way wireless switches
- Compatible with hardwired 3 way and 4 way switches
- Architectural lighting control
- Motor control
- Manual ON/OFF automatic OFF controls

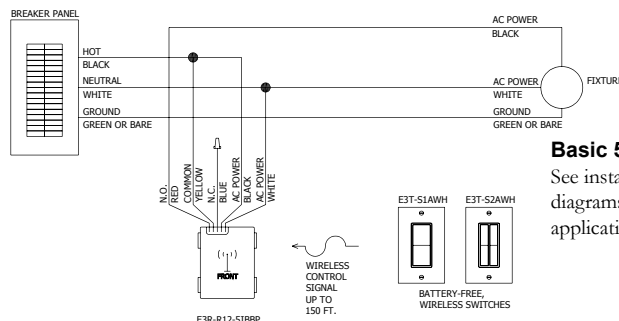
Control The Way You Want

Control the Relay Receiver with a variety of devices:

- Self-powered wireless light switches
- Wireless occupancy sensors with 15 minute vacancy timeout
- More

		E3R-R02-5IBBP E3X-R02-5IBBP	E3R-R12-5IBBP E3X-R12-5IBBP	E3R-R24-5IBBP E3X-R24-5IBBP	E3R-R27-5IBBP E3X-R27-5IBBP
Range		50-150 feet (typical)			
Frequency		315 MHz			
Relay Output		277 VAC, MAX			
Max Loads/ Contact Ratings	Tungsten (Incandescent) N.O. Contacts / N.C. Contacts	1500 W @ 120 VAC / 500 W @ 120 VAC 3000 W @ 240 VAC / 1500 W @ 240 VAC 3400 W @ 277 VAC / 1700 W @ 277 VAC			
	Fluorescent Ballast	8 A (N.O. Contacts)			
	General Duty	16 A (N.O. Contacts), 5 A (N.C. Contacts)			
	A300 Pilot Duty	72 VA @ 24 VAC, 360 VA @ 120 VAC, 720 VA @ 240 VAC, 830 VA @ 277 VAC			
	Motor Load	60 LRA, 10 FLA, 1/2 HP @ 120 VAC, 1HP @ 240 VAC			
Power Supply		24 VAC 50/60 Hz	120 VAC 50/60 Hz	240 VAC 50/60 Hz	277 VAC 50/60 Hz
Output Channels		1 FORM C Relay COM, N.O., N.C.			
Memory		Stores up to 30 switch IDs			
Dimensions		2.11 x 1.73 x 1.09 inches (54 x 44 x 28 mm)			
Operating Temperature		14° to +122°F (-10° to +50°C)			
Storage Temperature		-4° to +176°F (-20° to +80°C)			
Radio Certification		FCC (United States): SZV-TCM2XXC I.C. (Canada): 5713A-TCM2XXC			
Safety Approval		ETL (U.S.): UL244A ETL (Canada): CSAc22.2#14-05			

Network Diagram



Basic 5-wire diagram

See installation guide for diagrams of additional applications.

This device or certain aspects thereof is protected by at least one U.S. or international patent or has at least one such patent application pending.



AHD0199B

ILLUMRA is a trademark of Ad Hoc Electronics, L.L.C. Other trademarks herein are the property of their respective owners.