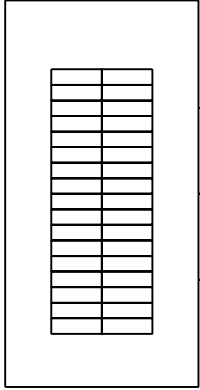


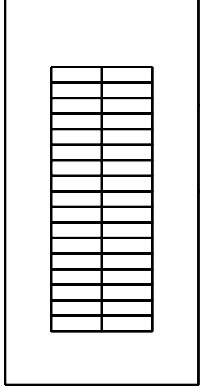
120VAC 5-WIRE DUAL POWER SOURCE WIRING DIAGRAM

BREAKER PANEL

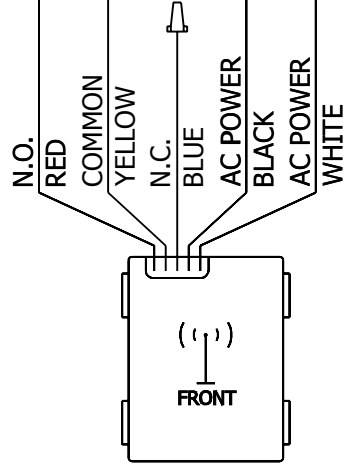


HOT
BLACK
NEUTRAL
WHITE
GROUND
GREEN OR BARE

BREAKER PANEL



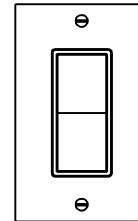
HOT
BLACK
NEUTRAL
WHITE



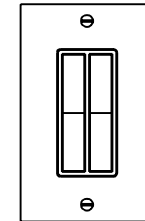
E3R-R12-5IBBP

← WIRELESS
CONTROL
SIGNAL
UP TO
150 FT.

E3T-S1AWH



E3T-S2AWH



BATTERY-FREE,
WIRELESS SWITCHES

AC POWER
BLACK

AC POWER
WHITE

GROUND
GREEN OR BARE

FIXTURE

