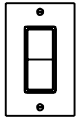
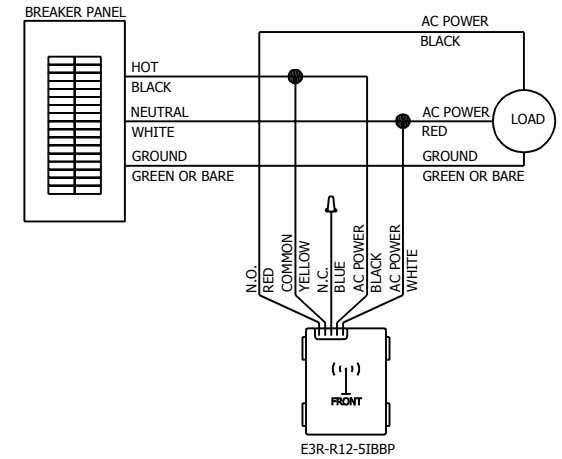
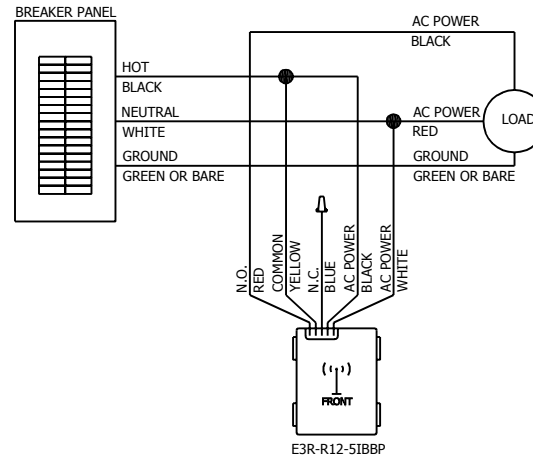
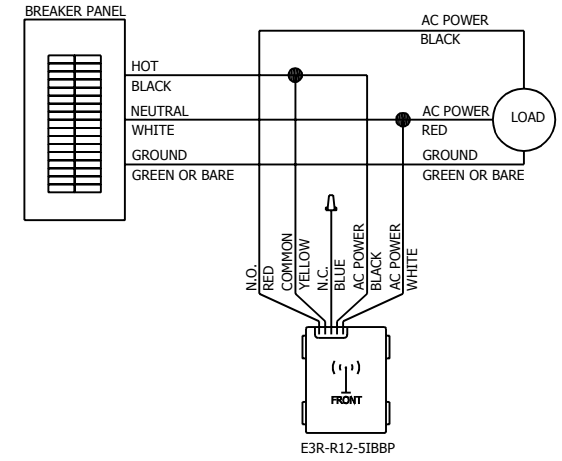
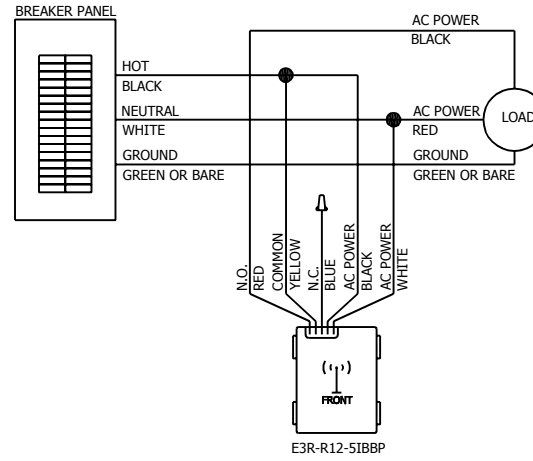
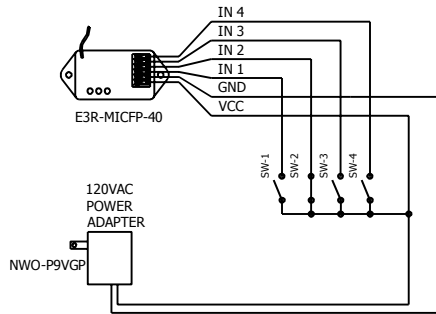


4-CHANNEL WIRELESS SWITCH-LEG WIRING DIAGRAM



BATTERY-FREE,
WIRELESS SWITCHES
CAN ALSO CONTROL
NEW LOAD



ALWAYS INSTALL DEVICES IN ACCORDANCE WITH LOCAL ELECTRICAL REGULATIONS.