



0-10V 20A Area Controller

E9X-DUV-10VTP

The ILLUMRA™ 0-10V Dimmer allows wireless control of room ambiance by dimming LED and Fluorescent Luminaires. It also reduces energy consumption and supports compliance with the latest energy regulations.

The relay is capable of switching fully loaded circuits and the adjustable dimming curve helps maximize dimming response.

Features:

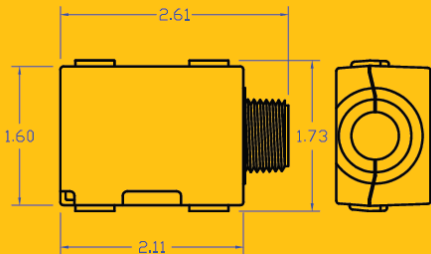
- Full circuit switching capacity
- Battery-free wireless control
- < 0.5W standby power
- Remote Commissioning
- Scene modes
- Relay Arc Suppression

Applications:

- Conference rooms
- Houses of worship
- Classrooms
- Offices
- Daylight harvesting
- Load shedding

Compatible loads:

- LED
- Fluorescent
- HID, etc.
- Any 0-10V controllable load



ILLUMRA
 927 W 500 N
 Lindon, UT 84042
 T: 801-349-1200
 W: www.ILLUMRA.com

- Control LED and Fluorescent luminaires
- Dim & Switch full circuit loads
- Tune dimming curve for maximum dimming response
- Battery-free Wireless Switch & Sensor control
- Reduce energy consumption
- Extend equipment life

0-10V Dimmer

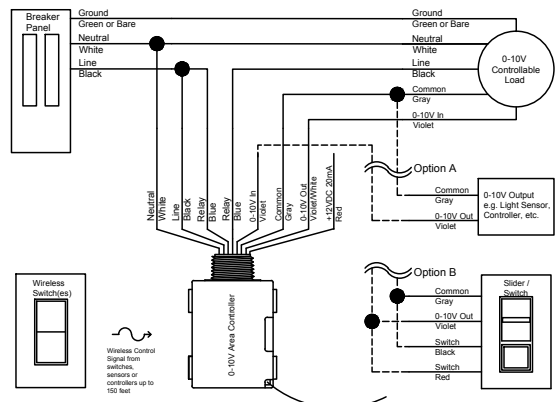


Compatible with:

- Battery-free Wireless Switches
- Wireless Occupancy Sensors
- Control systems, etc.



WIRING DIAGRAM



SPECIFICATIONS

E9X-DUV-10VTP	
Supply Voltage	100-277 VAC 50/60 Hz
Max Load Metal Halide Sodium Vapor Induction Fluorescent LED Other	20 Amps all loads 0-10V sink 100mA 0-10V source 1mA
Dimensions	2.11 x 1.73 x 1.09 in (54 x 44 x 28 mm)
Operating Temperature	+32 to +122 F (0 to +50 C)
Storage Temperature	-4 to +176 F (-20 to +80 C)
Approvals	UL 60730 (safety) UL 2043 (plenum) CSA c22.2#14-05 (safety) CE – IEC 60730 FCC: SZV-STM300U, IC: 5713A-STM300U

This device or certain aspects thereof is protected by at least one U.S. or international patent or has at least one such patent application pending.

ILLUMRA is a trademark of Ad Hoc Electronics, LLC. Other trademarks herein are the property of their respective owners.