

# 0-10V 20A On/Off Area Controller

ZCX-RUV

This 0-10V 20A On/Off Area Controller model is compatible with the Cortet™ Lighting Control System and allows control of 20A of circuits. As part of a system, this controller allows for On/Off control of LED and fluorescent luminaires and more.

Use as part of a wireless control system to reduce energy consumption or to implement compliance with the latest energy regulations.

#### Features:

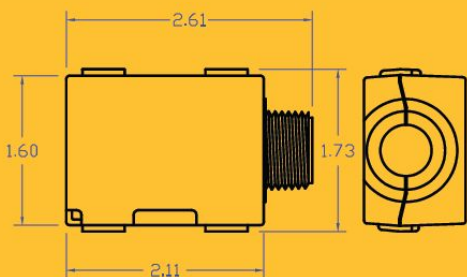
- Control 20A loads
- Less than 0.5W standby power
- Certified for the Cortet IoT Control Platform for smart lighting control
- IOS/Android mobile app control with the Cortet Smart Control App

#### Applications:

- Conference rooms
- Houses of worship
- Classrooms
- Offices
- Daylight harvesting

#### Compatible loads:

- LED
- Fluorescent
- HID, etc.
- Any <20A 0-10V controllable load



115 S State St, Suite B  
Lindon, UT 84042

T: (801) 349-1200  
F: (801) 614-7100  
Sales@ILLUMRA.com



- On/Off Control for 20A of LED and Fluorescent luminaires
- Reduce energy consumption
- Extend equipment life

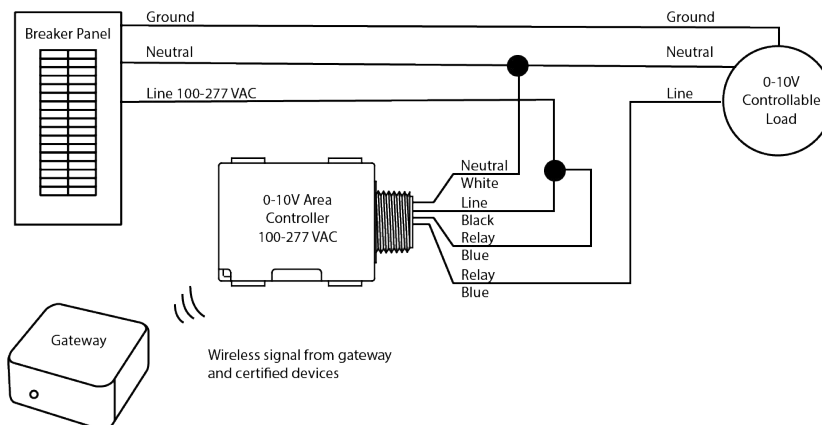
#### Compatible with:

- Cortet Group Controller Gateway
- Cortet Local Controller Gateway
- Any HA1.2 Zigbee gateway

#### Area Controller



#### WIRING DIAGRAM



SPECIFICATIONS	ZCX-RUV
Supply Voltage	100-277 VAC 50/60 Hz
Max Load	20 Amps Resistive, Induction, Fluorescent, LED, Other 160A Max Inrush Current 0-10V sink 100mA 0-10V source 1mA
Dimensions	2.61 x 1.73 x 1.09 (66 x 44 x 28 mm)
Operating Temperature	+32 to +122 °F (0 to +50°C)
Storage Temperature	-4 to +176 °F (-20 to +80 °C)
Approvals	UL 60730 (safety) UL 2043 (plenum) CSA c22.2#14-05 (safety) CE - IEC 60730 FCC ID W7Z-ZICM357SP2 IC ID: 8254A-ZICM357SP2

This device or certain aspects thereof is protected by at least one U.S. or International patent or has at least one such patent application pending.  
ILLUMRA is a trademark of Ad Hoc Electronics, LLC. Other trademarks herein are the property of their respective owners.

AHD0625B