



# 5A On/Off Controller

E9X-RUV-3HOTP

The ILLUMRA 5A On/Off Controller is a line-voltage controller that allows lights to be controlled by ILLUMRA self-powered switches, occupancy sensors, light sensors, and gateways to implement power saving strategies.

Use as part of a wireless control system to reduce energy consumption or to implement compliance with the latest energy regulations.

### Features:

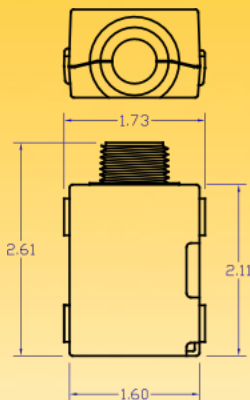
- On/Off control for individual LED and fluorescent luminaires and 5A loads
- Reduce energy consumption
- Extend equipment life

### Typical Applications:

- Conference rooms
- Classrooms
- Offices
- Remodels & Retrofits
- Daylight harvesting

### Compatible Devices:

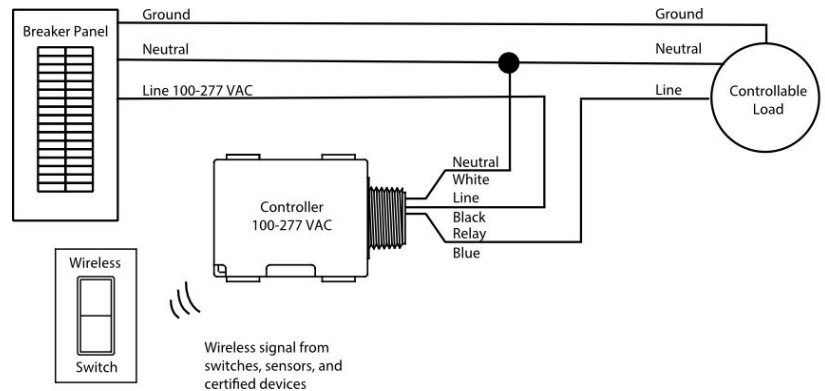
- Wireless Light Switches
- Key Card Switch
- Control Transmitter
- Wireless Occupancy Sensor
- Window/Door Sensor
- Light Sensor
- Gateway



- **Fast installation.** Install one controller per light, avoiding the need to run wires between fixtures.
- **Interoperable.** Communicates wirelessly with other devices using the EnOcean wireless standard. Easy integration with your building management system.



### WIRING DIAGRAM



### SPECIFICATIONS

|                              |  |
|------------------------------|--|
| <b>Supply Voltage</b>        | 100-277 VAC 50/60 Hz   |
| <b>Max Load</b>              | 5A all loads, Induction, Fluorescent, LED, Other<br>70A Max Inrush Current<br>1/4 HP   |
| <b>RF Communications</b>     | EnOcean® Protocol 902 MHz  |
| <b>Transmission Range</b>    | 50-150 feet (typical)  |
| <b>Dimensions</b>            | 2.61 x 1.73 x 1.09 inches<br>(66 x 44 x 28mm)  |
| <b>Operating Temperature</b> | +32 to +122°F<br>(0 to +50°C)  |
| <b>Storage Temperature</b>   | -4 to +176°F<br>(-20 to +80°C)   |
| <b>Approvals</b>             | UL 60730 (safety) UL 2043 (plenum)<br>CSA c22.2#14-05 (safety) CE - IEC 60730<br>FCC ID: SZV-STM300U<br>IC ID: 5713A-STM300U |

115 S State St, Suite B  
Lindon, UT 84042

T: (801) 349-1200  
F: (801) 614-7100  
Sales@ILLUMRA.com

This device or certain aspects thereof is protected by at least one U.S. or International patent or has at least one such patent application pending.

ILLUMRA is a trademark of Ad Hoc Electronics, LLC. Other trademarks herein are the property of their respective owners.

AHD0635A