



Self-powered Dual Rocker Switch

The ILLUMRA™ Self-powered Dual Rocker light switch uses no wiring or batteries. Pressing the switch creates enough energy to transmit wireless signals to control lights and other devices connected to ILLUMRA receivers. These switches have built-in functionality for dimming, on/off, and momentary control.

Save Time, Energy, and Money

Installing a switch doesn't have to mean tearing open a wall, or hardwiring relays and lighting controls.



Features:

- Battery-free wireless control.
- Fits standard single or multi-gang switch box.
- Available in 6 designer colors.
- Create 3 and 4-way switch layouts without wiring.
- Can surface mount anywhere.
- Patented tamper resistant design.



Applications



Retrofitting



New Construction



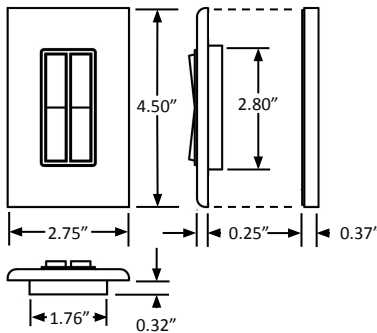
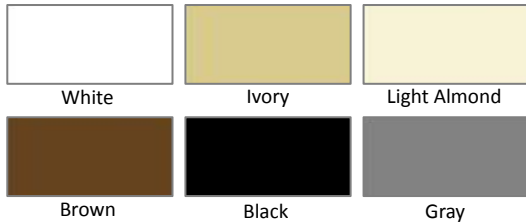
Classrooms



Offices



Warehousing



Technical Spec:	E9T-S2Axx Models
Range	50-150 feet (typical)
Frequency	902 MHz
Power Supply	EnOcean Self-generated when switch is pressed
Buttons	2 Rocker (4 button positions)
Output Channels	Only limited by number of receivers in range
Dimensions - Inches	2.75" (W) x 4.5" (H) x 0.62" (D)
Amb. Op. Temp. [◇] [Storage Temp.]	-13° to +149°F (-25° to +65°C) [-13° to +149°F (-25° to +65°C)]
Radio Certification	FCC (United States): SZV-PTM215U I.C. (Canada):5713A-PTM215U
Addressing	Factory set unique ID (1 of 4 billion)

◇ Temp. difference between controller and switch should not exceed 140° F (60° C)

Ordering (example: E9T-S2AIV):

E9T	-	S	2	A		
E9T = EnOcean 902MHz**		S = Switch	2 = Dual Rocker‡	A = American Style*	WH = White LA = Light Almond IV = Ivory	BR = Brown BK = Black GY = Gray

*European styles available, Contact Illumra for info.

** Additional frequencies available, Contact Illumra for info.

‡ Single Rocker versions available, Contact Illumra for info.

This device or certain aspects thereof is protected by at least one U.S. or International patent or has at least one such patent application pending

ILLUMRA 115 S State St. Suite B Lindon, UT 84042

Sales@ILLUMRA.com

T: 801-349-1200 E:

W: www.ILLUMRA.com



Self-powered Dual Rocker Switch

COMPATIBILITY		
Name	Model	Uses
Wireless 0-10V LED Fixture Controller	E9X-DUV-10VTP-FX	0-10V LED dimming for light fixtures (5A)
Wireless 0-10V LED Area Room Controller	E9X-DUV-10VTP	0-10V LED dimming for lighting zones (20A)
Wireless On/Off Controller	E9X-RUV-3HOTP	On/Off controller for light fixtures, pumps, or motors (5A)
Wireless On/Off Area Room Controller	E9X-RUV-4IBTP	On/Off area controller for lighting zones, thermostats, pumps, or motors (20A)
8 Channel Low Voltage Controller	E9R-R04FP-8	Operate dry contact relays for HVAC, 3 phase motors, gates, lighting, etc...
PWM Low Voltage LED Dimmer	E9X-D02FL	PWM dimming controller for tape light, rope light, etc...

LINKS

[Installation Guide](#)

[3-Way Switching](#)

0-10V Controller



On/Off Controller



LV Relay Receiver



PWM LED Dimmer



BID SPECIFICATION~

SELF-POWERED WIRELESS WALL SWITCHES

Part 1. Wireless Dual Rocker Wireless Self-Powered Wall Switches

1. Self-Powered Wireless Wall Switches

a. E9T-S2A(xx) ILLUMRA Dual Rocker style wall switch by Ad Hoc Electronics Inc., or equal.

2. Mechanical

- Switches shall be Self-Powered, kinetic energy harvesting, and wireless.
- Switches shall be Dual Rocker (4-button) Standard North American Style.
- Switches shall fit into a standard North American size light switch junction box.
- It shall be possible to install multiple switches using surface mounting plates available from the manufacturer or standard electrical multi-gang switch boxes.
- Surface Mounting Plates shall be provided with E9T-S2Axx switch assemblies.
- Switches must have a Tamper-Resistant feature built into the design.
- All Switches shall be available in ivory, black, gray, white, brown, and light almond.
- Switch faceplates shall be provided with E9T-S2Axx switch assemblies.
- Switches shall have a fully enclosed electronics assembly.
- Switches shall be constructed of PC and ABS plastic.

3. Electrical

- Switches shall use 902 MHz EnOcean radios. Systems that use other radio frequencies shall not be acceptable
- Switches shall have a lateral range of at least 18 m (60 ft.) – commercial office space (typical), up to 30 m (150 ft.) line of sight
- Switches shall comply with FCC Part 15.231 and IC RSS- 210

4. Functional

- Switches shall be able to switch loads on and off when used with compatible ILLUMRA relays and controllers
- Switches shall be able to dim loads up and down when used with compatible ILLUMRA dimming relays and controllers
- Switches shall be able to offer momentary control functionality when used with compatible ILLUMRA relays and controllers
- Switches shall be able to be manually paired with compatible ILLUMRA relays and controllers
- Switches shall be tested to exceed 250,000 presses

5. Compliance

- Switches must be capable of meeting Buy American Act compliance

ILLUMRA 115 S State St. Suite B Lindon, UT 84042

T: 801-349-1200 E:

Sales@ILLUMRA.com

W: www.ILLUMRA.com