



# Bluetooth Fixture Controller & Sensor

The ILLUMRA™ Bluetooth® Fixture Controller & Sensor w/ Daylight Harvesting allows fine-tuned control of luminaires by using PIR occupancy detection, and signaling when a space has been unoccupied for a set period of time. Ambient light levels are measured for high-end trim.

The BTX-DUV-OCC fixture controller & sensor is line-voltage powered, eliminating the need for battery changes.



- Daylight Harvesting
- Time Clock Scheduling
- High End Trim
- Grouping
- 0-10v Dimming
- IP65 Rated
- Bluetooth Mesh V4.2
- SIMPLE To Use App



## Applications



Retrofitting



New Construction



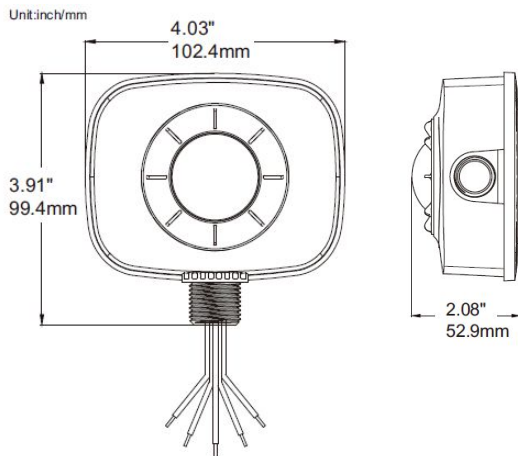
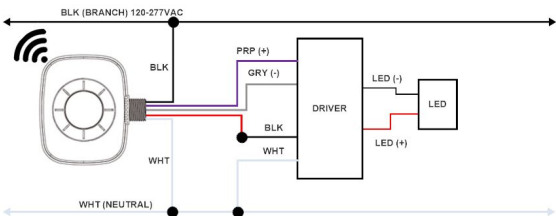
Classrooms



Offices



Warehousing



Specification:	BTX-DUV-OCC Model
Detection Dist.	60 ft. (20m) diameter @40ft (12m) mounting ht.
Mounting Ht.	15-40 ft. (5-12.2m) recommended
Frequency	2.4 GHz Bluetooth Protocol
Radio Range	80' (27m) max
Detection	Omni-directional quad element pyroelectric (PIR)
Ambient Light Level Range	2.8 fc to 232.3 fc (30 to 2500 Lux)
Operating Voltage	120-277 VAC
Max Load	5A, 300W for LED driver only; 0-10V sink 20mA
Dimensions	4.03"L x 3.91"W x 2.08"P [102.4x99.4x52.9mm]
Amb. Op. Temp.	-40°F to 131°F [-40°C to +55°C]
Environmental	IP 65
Compliance	UL 8750; FCC Part 15

## Ordering (example: BTX-DUV-OCC)

<b>BTX</b>	-	<b>DUV</b>	-	<b>OCC</b>
BTX = Bluetooth 2.4 GHz Transceiver		DUV = Dimming, Universal Voltage		OCC = Occupancy Sensing

This device or certain aspects thereof is protected by at least one U.S. or International patent or has at least one such patent application pending



# Bluetooth Fixture Controller & Sensor

## COMPATIBILITY

Name	Model	Uses
Wireless Switch	BTX-S5BWH	Wireless Wall Switch Bluetooth Mesh
LED Fixture Controller	BTX-DUV-10VFX	3A LED Fixture Controller Bluetooth Mesh
Wired Occupancy Sensor	NWO-OFX	Wired PIR Occupancy Sensor for Bluetooth Mesh

## LINKS

[Product Page](#)



BTX-S5BWH



COMMISSIONING APP



Commissioning App  
Download QR Code

BTX-DUV-10VFX

## BID SPECIFICATION -

### A. Basis of Design: BTX-DUV-OCC Passive Infrared Fixture Mount Occupancy Sensor by ILLUMRA.

1. Standards Compliance: 2.4 GHz, FCC Part 15.
2. Mechanical:
  - a. LED Indicator: Behind a lens showing PIR functionality is present. LED indicator may be disabled.
  - b. Field adjustable detection width shield optional
3. Electrical:
  - a. 120-277 VAC input. 5A max.
  - b. Radio: 2.4 GHz Bluetooth. Other frequency radios are not acceptable.
  - c. Radio Range: 80 ft (27 m).
4. Functional:
  - a. Wirelessly transmit occupancy state and Lux level.
    - 1) PIR Coverage Area: High Bay, 60' Dia.@ 40' Ht.
    - 2) Lux level detection range 30-2500.
  - b. Operation: Occupancy based on configuration settings of compatible linked wireless lighting controllers.
  - c. Light-Level Evaluation Test Mode: Visual indication of ambient light level where sensor is mounted.
  - d. Walk-Test Test Mode: Immediate visual indication of PIR activity when operating.