



Wireless Door / Window Sensor

Maximize HVAC savings by monitoring door and window status using the ILLUMRA E9T-MDCCP sensor. The solar cell powered magnetic contact alerts to open/closed status and interfaces with a variety of ILLUMRA products including thermostat control.

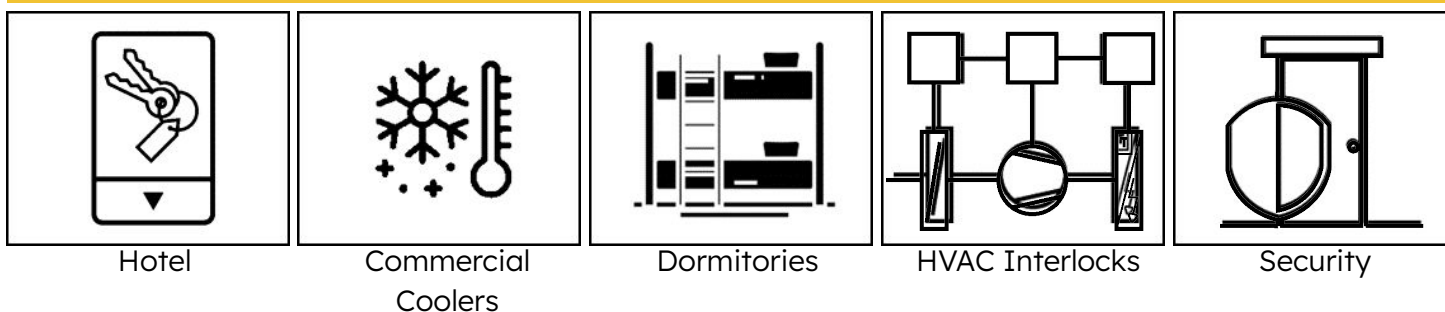
Reduce energy waste 20-60% by adjusting set points in HVAC systems when doors and windows are left open.



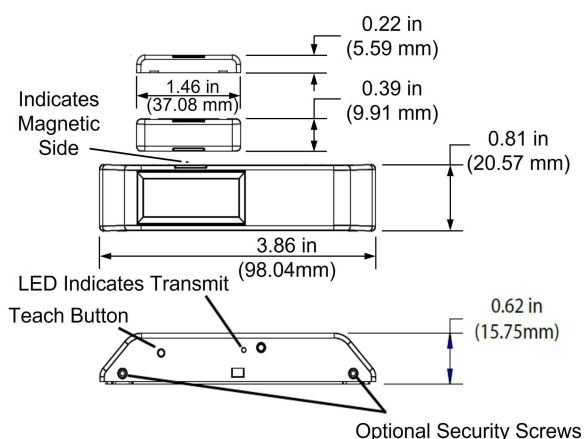
- Ambient light powered - No batteries*
- Operates for days in darkness when charged
- Wireless - Eliminates pulling wires to sensors
- Security type screws and adhesive pads included



Applications



Dimensions:



Technical Spec:	E9T-MDCCP Model*
Range	15-60 feet (5-20m) typical
Frequency (Tx)	902 MHz; EEP (D5-00-01)
Power Supply	Integrated Solar Cell
Sensor Type	Magnetic Reed Switch
Start-up time from no charge	<2.5 minutes @ 400 lux, 70°F (25°C)
Operating time (No light)	5 days when fully charged
Op. Temp. [Storage Temp]	-4°F to 140°F (-20°C to 60°C) [-40°F to 140°F (-40°C to 60°C)]
Dimensions (enclosure)	3.86" L x 0.81" W x 0.62" Proj. inches [98mm x 20.6mm x 15.8mm]
Certifications	FCC (US), IC (Can)
Finish	White

Ordering (example: E9T-MDCCP):

E9T	-	MDCCP
E9T = EnOcean 902 MHz**		MDCCP = Magnetic Directed Contact Closure Point

* Optional Battery version, see E9T-MCS

This device or certain aspects thereof is protected by at least one U.S. or International patent or has at least one such patent application pending



Wireless Door / Window Sensor

COMPATIBILITY

Name	Model	Uses
Wireless On/Off Controller	E9X-RUV-3HOTP	Switches On/Off controller for light fixtures, pumps, or motors (5A), dry contact AC or DC
Wireless On/Off Area Controller	E9X-RUV-4IBTP	Switches On/Off area controller for lighting zones, thermostats, pumps, or motors (20A)
8-Channel Low Voltage Controller	E9R-R04FP-8	Operates the dry contact relays for HVAC, gates, lighting, etc...

LINKS

[Product Page](#)



E9X-RUV-3HOTP



E9X-RUV-4IBTP



E9R-R04FP-8



BID SPECIFICATION -

SECTION 2.A.5 WIRELESS SENSORS

- A. Basis of Design: E9T-MDCCP Magnetic Contact Sensor Series by ILLUMRA. For entry door or window switch.
1. Standards Compliance: 902 MHz, FCC Part 15.231 and IC RSS- 210.
 2. Mechanical:
 - a. PC and ABS injection molded plastic. Fully enclosed electronics assembly. Color: White
 - b. Button: For manual linking to controllers.
 - c. Mounting: Using screws, peel-and-stick double sided tape.
 - 1) Allowance for secondary set screws for theft deterrence.
 - d. Magnetic Contact Switch: Detects open status of window or door.
 3. Electrical:
 - a. Radio: 902 MHz EnOcean radios. Other frequencies radios are not acceptable.
 - b. Power Input: Solar Cell
 - c. Range: 15-60 ft (5-20 m).
 4. Functional:
 - a. Link to compatible controller:
 - 1) As room occupancy state latch
 - 2) For purpose of switching lighting
 - 3) For miscellaneous electrical load control (ex: HVAC on/off).
 - c. Magnet Placement Test: Visual indication of switch state (LED blinks) and Auditor indication
 - d. Event Which Triggers a Message:
 - 1) On each open or close event.
 - 2) Open events.
 - 3) Closed events.