



Decorator Style Battery-Free Bluetooth® Switch

BTT-S1Axx (single rocker)
BTT-S2Axx (dual rocker)

Overview

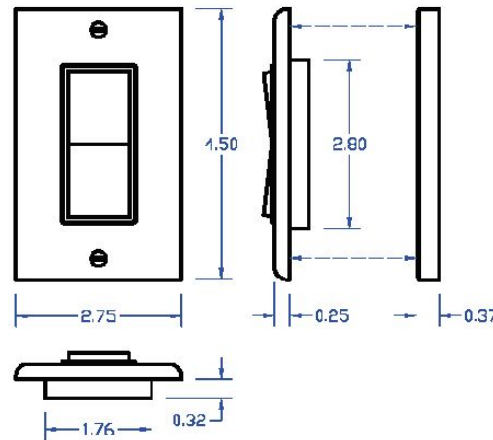
The Decorator Style Battery-Free Bluetooth Switch is a battery-free wireless transmitter that communicates with a wide variety of Bluetooth enabled receivers. Every time the switch is pressed a micro-generator produces a small electrical current that powers a built-in transmitter. This transmitter sends wireless radio signals that command the receiver to turn a device off or on. With an appropriate receiver, the switch can also be used to control the dimming of lights.

Compatible With

Bluetooth lighting control systems including:
 Silvar
 Casambi
 BubbyNet

Specifications

BTT-S1Axx BTT-S2Axx	Decorator Style Battery-Free Switch
Range	50-150 ft (typical)
Frequency	2.4 GHz Bluetooth
Power Supply	Self-generated when switch is pressed
Buttons	2(single rocker) or 4 (dual rocker)
Output Channels	Only limited by number of receivers in range
Dimensions	2.75 (W) x 4.5 (H) x 0.62 (D) inches
Operating Temperature	-13° to +149° F (-25° to 65° C)
Radio Certifications	Certified according to FCC, IC and CE regulations
Addressing	Factory Set Unique ID



Commissioning

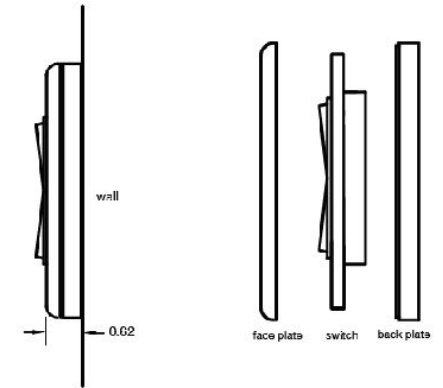
Follow instructions from the manufacturer of the lighting controller to be paired with the switch.

Mounting

Commission (link) the switch to your System before mounting.

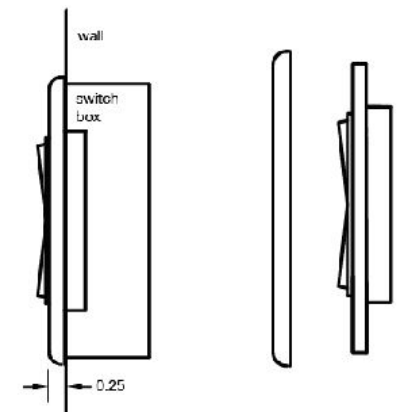
The light switch is compatible with standard decorator style faceplates. A single gang faceplate is included.

Surface Mount



For surface mount, attach included backplate to the wall using screws or adhesive.

Flush Mount



For flush mount, mount the switch without the backplate into a standard electrical switch box using included screws.