



Wireless Plug Receiver & Switch KIT

Wirelessly control an outlet from across the room. This receiver can be linked to self-powered wireless switches or other compatible products, enabling energy savings and automation without the need for new wiring.

Part Number: BTK-WP11A_{xx}

SPECIFICATIONS:

Rated voltage: 120VAC 50Hz/60Hz:

Rated current: 10A Resistive 3A LED, tungsten, ¼ HP motor

A/C frequency: 50/60Hz

Loads: 10A resistive at 100-125 VAC

- 3A Electronic or LED Driver Loads
- Motor Loads: 1/4 HP
- Inrush current of 10A max.

Idle power: < 0.5W

Wireless: Bluetooth® (2.4GHz)

Range: 50-120 feet

Max amount of connectable switches: 10

Dimensions: 3.15x1.5x1.9 in (80x38x48 mm)

Operating Temperature: 14°F~104°F (-10°C~40°C)

Compliance: FCC (US) UL 60730

PACKAGE CONTENTS

- 1 - Wall plug
- 1 - Remote switch
- 1 - User manual
- 1 - Command strips
- 2 - Junction box screws
- 2 - Mounting plate screws

EQUIPMENT NEEDED

- Screw Driver

LINKING INSTRUCTIONS

The wall plug and device come pre-prepared to each other. If issues arise contact customer service. If wall plug turns on (blue light) but the switch won't turn it on/off - switch problem. If the wall plug has been plugged into an outlet and the blue power light doesn't turn on - plug problem Reference wall plug part number BTT-R12GP, for switch related issues reference part number RW9-SSWH

INSTALLATION/MOUNTING LOCATION

1. **Plug wireless plug into an outlet**
2. **Plug the appliance into the wireless plug**
3. **Control plug**
 - Use the pre-prepared remote switch to turn the power on or off.
4. **Switch installation**
 - Peel the back of the command switch and attach to back of the switch unit
 - Stick switch in the desired location - can be mounted on (tables, walls, desks, night stands etc)
 - **OR**
 - Use screws to attach switch and back plate to the wall
 - **OR**
 - Compatible with original junction (switch) box
5. **ENJOY**

SAFETY WARNING

1. This product is intended only for use indoors and in dry locations.
2. Install and use in accordance with these instructions, electrical codes, and regulations.
3. For best results, link transmitters to controllers before final installation.
4. Avoid using plugs with high-powered appliances like heaters and air conditioners unless specifically rated.
5. If unsure about any part of these instructions, consult an electrician.
6. DO NOT STICK METAL OBJECTS INTO THE WALL PLUG

TROUBLESHOOTING

Issue: The wall plug does not respond to the remote switch.

Solution:

1. Test the receiver by pressing the power button. A blue light means the power is on and the plug is functioning. If the power light is off, the power is not ON. Either the wiring is incorrect, or the receiver has been damaged. If the power button does not turn on/off with the switch, contact customer service.

Issue: The remote range is reduced.

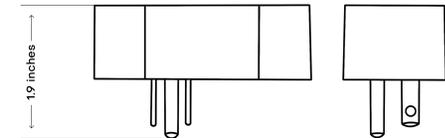
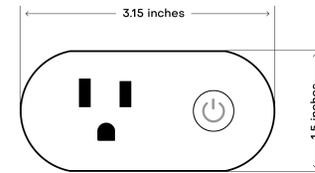
Solution:

1. Remove any large obstructions between the remote switch and the wall plug.

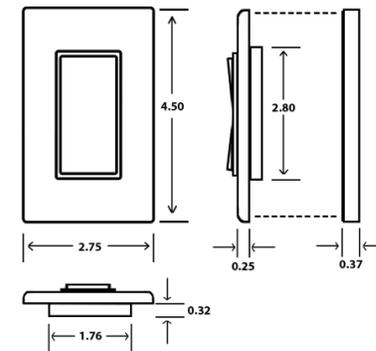
Issue: The wall plug indicator light does not turn on.

Solution: Check the power supply to the wall outlet and ensure the plug is not overloaded.

Plug Dimensions



Switch Dimensions



For more product information go to

<https://illumra.freshdesk.com/support/home> and search the product number.

Customer Service
(801) 349-1200

support@illumra.com

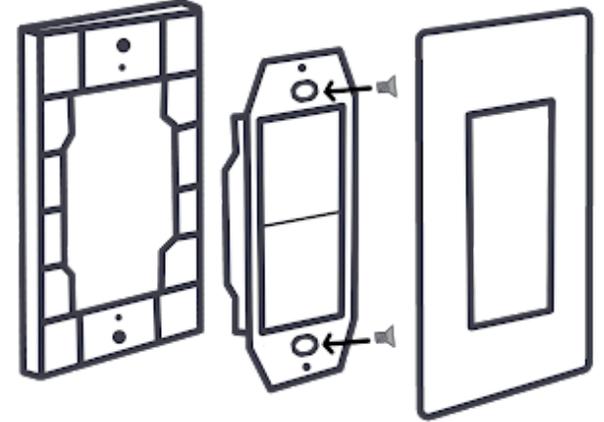
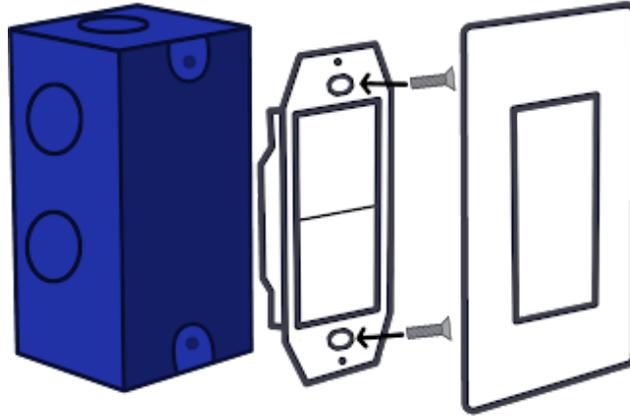
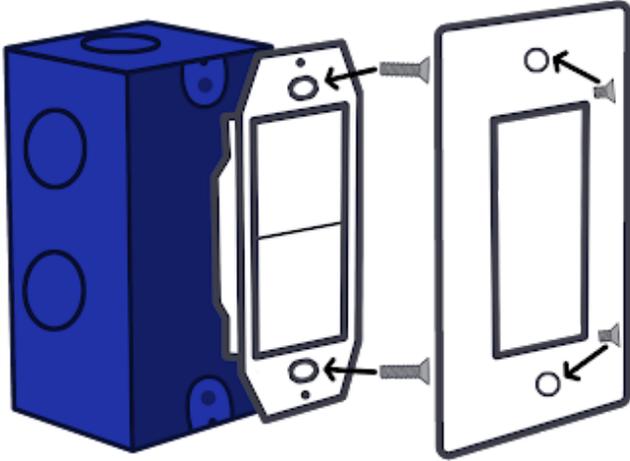
115 South State Street, Suite B Lindon, UT 84042

Switch Installation Image Instructions

Switch + junction box - screw on face plate/multi-gang faceplates

Switch + junction box - snap on face plate

Switch + back plate + snap on face plate - can be mounted anywhere



More information

